



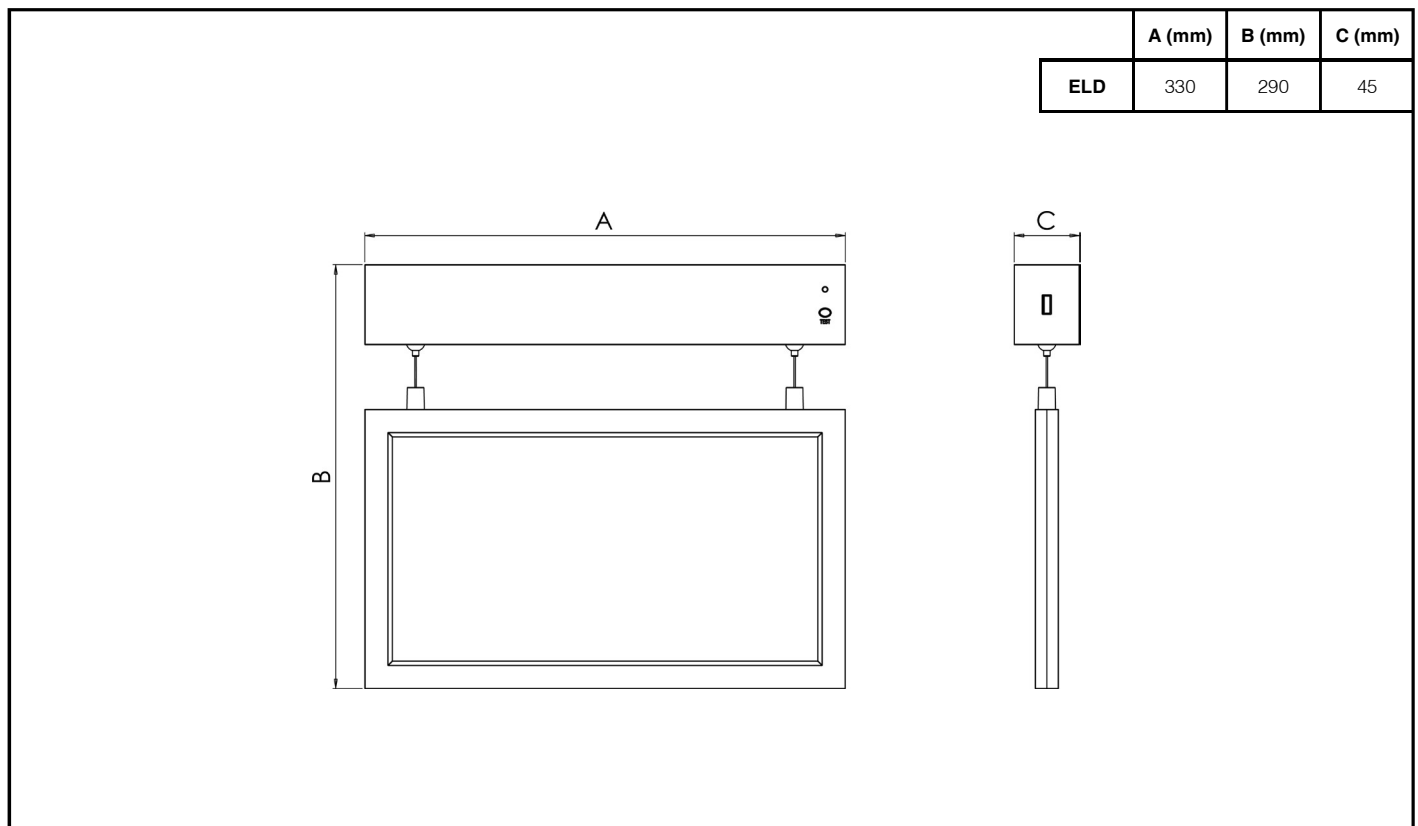
Product Name: ELITE DL

General information

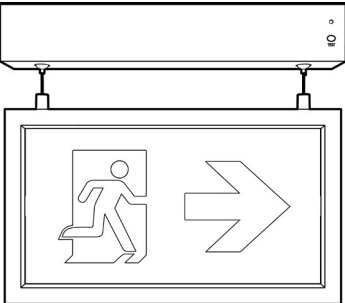
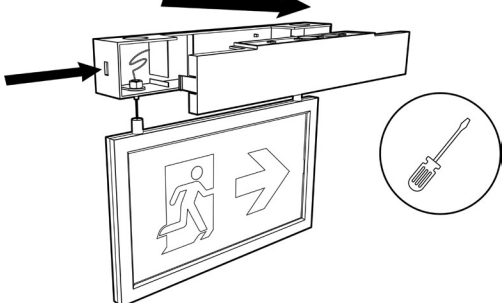
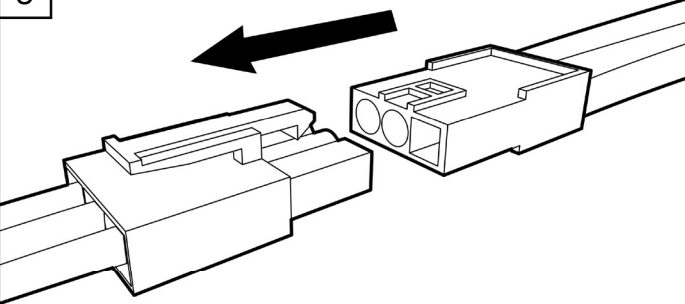
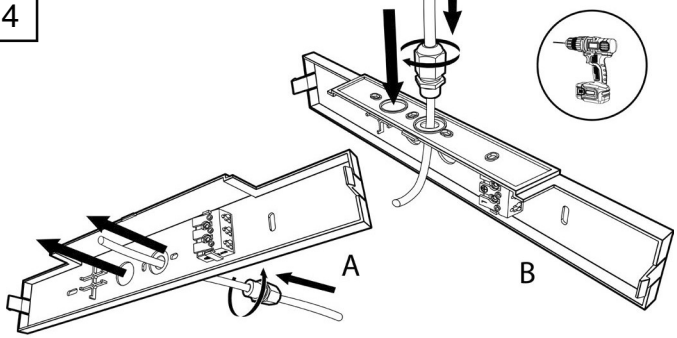
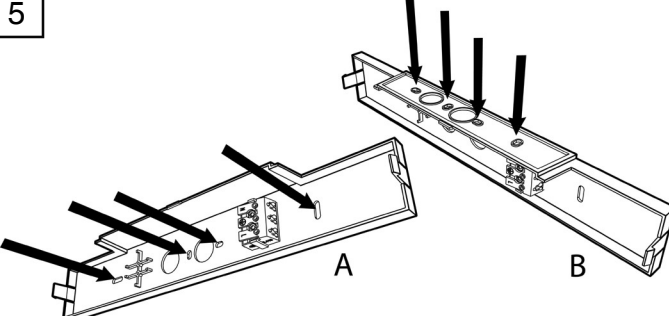
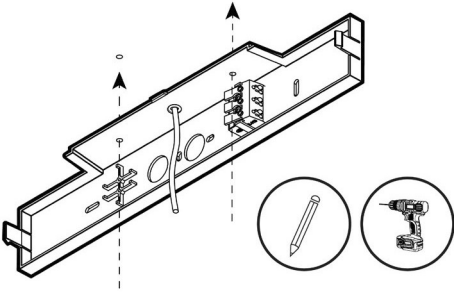
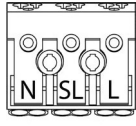
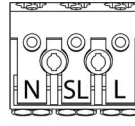
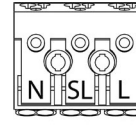
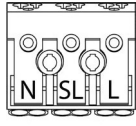
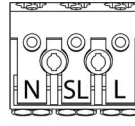
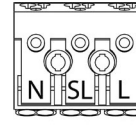
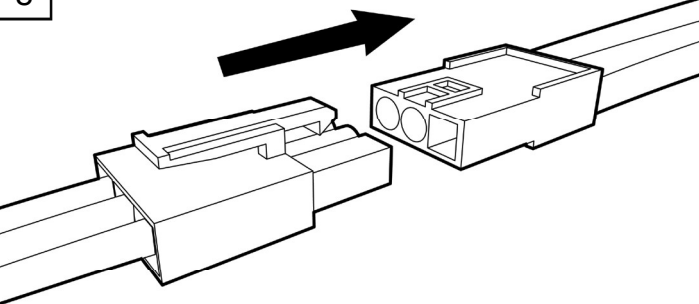
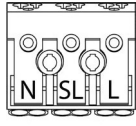
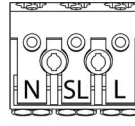
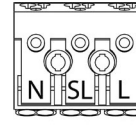
- This luminaire must be installed in accordance with the latest edition of the IET Wiring Regulations and local Building Regulation by a qualified competent person.
- The mains power supply must be turned off before inspection, installation or removal of the luminaire, ensuring that the supply is locked off to prevent inadvertently switching the supply on.
- It is the installer's responsibility to ensure that the installation is suitable for the total load of the luminaire(s). The supply cable fuses/circuit breakers must be correctly rated for the electrical load and taking into account for any transient inrush currents that may occur.
- It is the installer's responsibility to ensure that the environmental operating and storage conditions are complied with and that any fire risks are considered.
- Do not perform insulation strength or insulation resistance tests on the installation with the luminaire(s) connected, this can damage the luminaires and give erroneous readings.
- Do not loop-in supply cables at the luminaire supply terminals unless there is provision for 2-way connection at the terminals.
- The light source contained in this luminaire must only be replaced by Tamlite Lighting or an appointed service agent.
- Emergency lighting luminaires must be installed and maintained in accordance with the emergency lighting standard BS 5266-1.
- To ensure that the product warranty remains valid, the luminaire must be installed and maintained in accordance with these installation instructions and the product must not be modified in any way.

-  Luminaires marked with this symbol must not be covered with thermally insulating material.
-  This symbol on covers over light sources indicates dangerous live parts do not operate the luminaire with this cover removed.

Dimensions



Product Name: ELITE DL

<p>1</p>  <p>Remove the product from its packaging.</p>	<p>2</p>  <p>Release the two tabs and remove the cover plate.</p>						
<p>3</p>  <p>Disconnect the lead from the cover plate to the luminaire.</p>	<p>4</p>  <p>Select and prepare the appropriate cable entry.</p>						
<p>5</p>  <p>Select and prepare appropriate mounting holes.</p>	<p>6</p>  <p>Attach the cover plate to the mounting surface.</p>						
<p>7</p> <table border="0"> <tr> <td style="text-align: center;">  N SL L Neutral Switched Live Permanent Live </td> <td style="text-align: center;">  N SL L Neutral Permanent Live </td> <td style="text-align: center;">  N SL L Neutral Permanent Live </td> </tr> <tr> <td style="text-align: center;">Switched maintained</td> <td style="text-align: center;">Non maintained</td> <td style="text-align: center;">Unswitched maintained</td> </tr> </table>	 N SL L Neutral Switched Live Permanent Live	 N SL L Neutral Permanent Live	 N SL L Neutral Permanent Live	Switched maintained	Non maintained	Unswitched maintained	<p>8</p>  <p>Reconnect the lead from the luminaire to the cover plate</p>
 N SL L Neutral Switched Live Permanent Live	 N SL L Neutral Permanent Live	 N SL L Neutral Permanent Live					
Switched maintained	Non maintained	Unswitched maintained					

Product Name: ELITE DL

